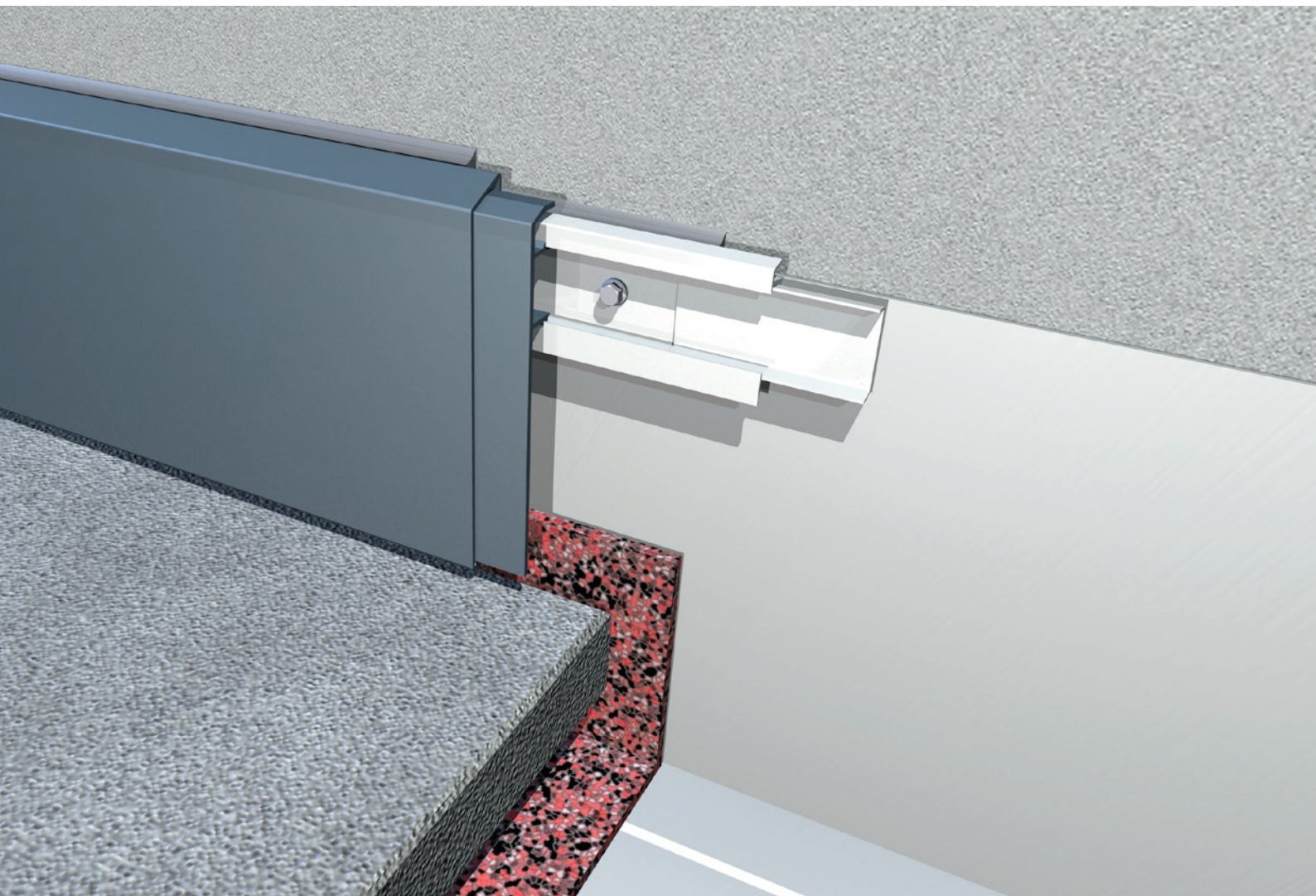


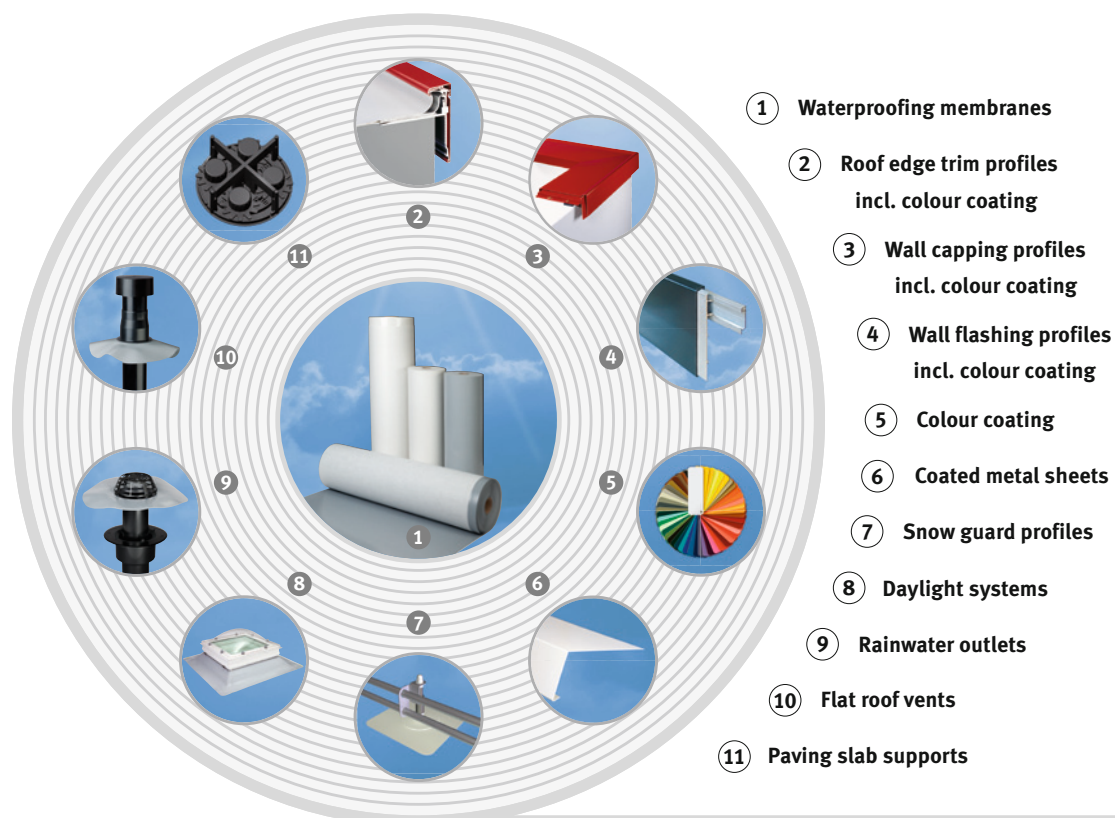
Wall flashing profiles

FP 60
WA 1
WA 150
WA 1 - ÜK 150 - 275
WA 1 - Ü 150 E



The alwitra waterproofing system

alwitra wall flashing profiles are part of the practically proven alwitra product system. This system comprises:



Further information

For further information on scope of delivery and standard accessories, please refer to our current price list.

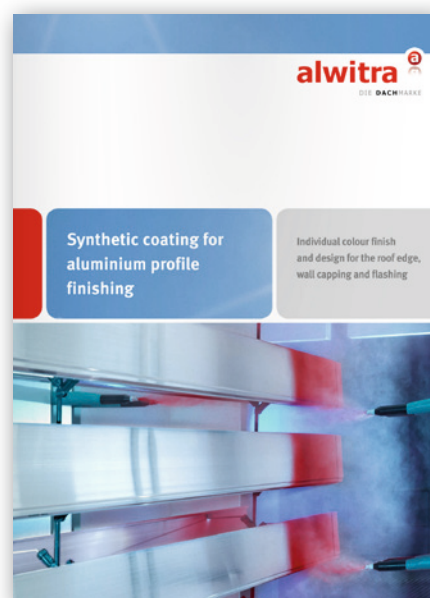
For additional technical information, please see our installation instructions and videos at

www.alwitra.de/en/aluminium-profiles/wall-flashing-profiles/

or scan the QR code.



For information on „Synthetic coating for aluminium profile finishing“ see separate brochure.



alwitra wall flashing profiles

Contents

alwitra wall flashing profiles	3
Information on design and execution	4
Wall flashing profiles - features	5
Wall flashing profiles	
FP 60	6
WA 1	6
WA 150	7
WA 1 - ÜK 150 - 275	8
WA 1 - Ü 150 E	9
Colour coating for aluminium profile finishing	10
The alwitra Colour World for aluminium profiles.....	11

From one roof edge to the other: As the market leader in high-quality roofing systems, alwitra provides all waterproofing components by way of an integrated system solution from a single source. Since the establishment of the company in 1964, alwitra has set new standards for the entire industry by introducing numerous product innovations.

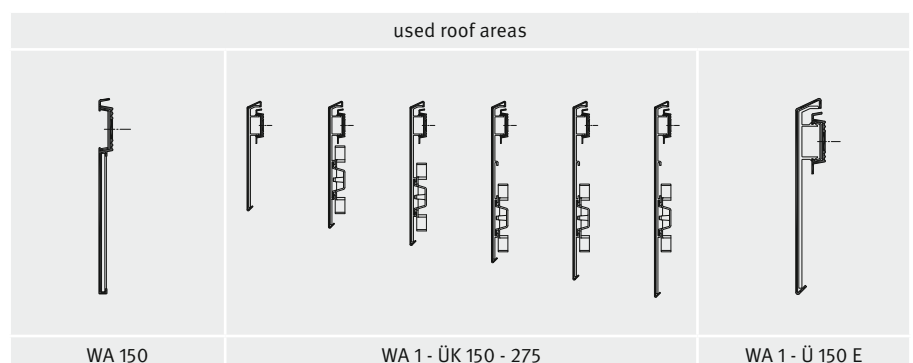
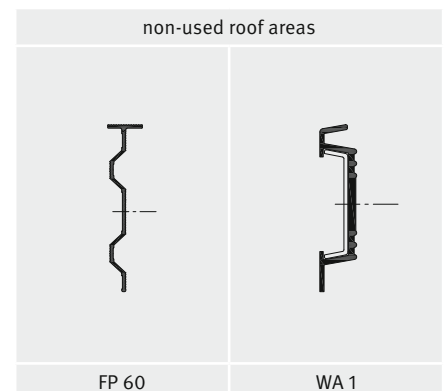
This is also true for the practically proven alwitra wall flashing profiles.

They form part of the roof waterproofing and in the case of used roof areas, particularly with an individually coloured coating, contribute to the overall architectural impression of the building.

alwitra wall flashing profiles are

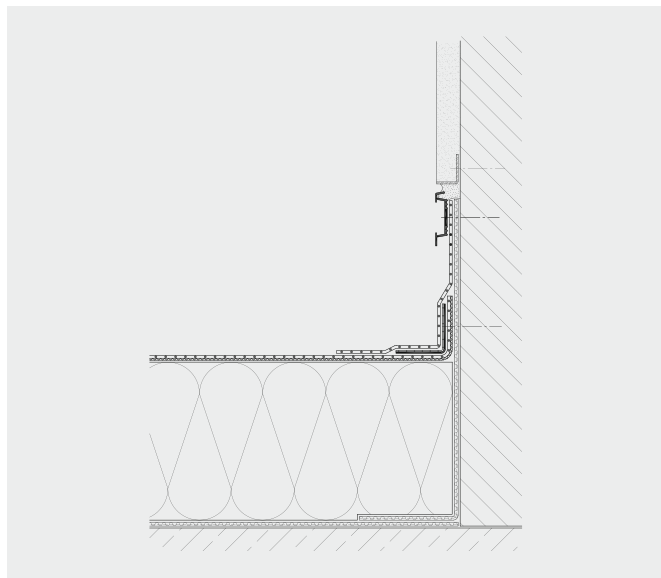
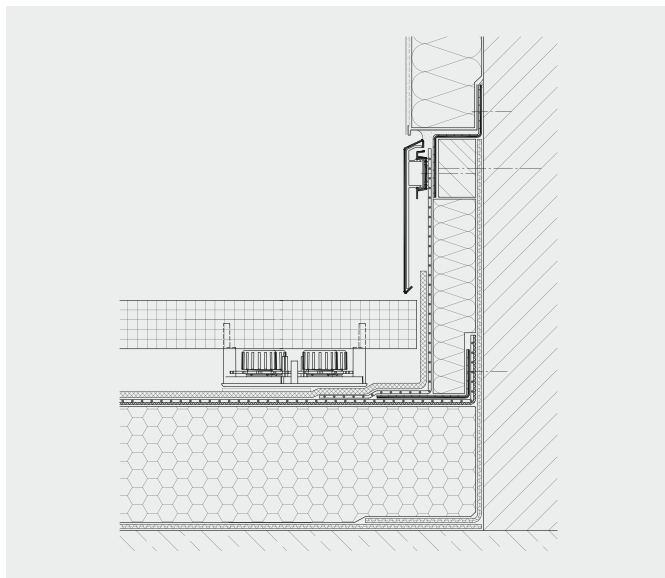
- made of extruded aluminium, EN AW 6060 or bent EN AW 5005 A
- light-weight
- universally applicable
- durable, even without corrosion protection
- high bending strength + high contact pressure + high reliability
- aesthetically pleasing
- concealed fastening for used roof areas
- easy and quick installation
- completely recyclable

With alwitra wall flashing profiles, flashings of waterproofing layers on used and non-used roof areas against upstands meet the generally accepted engineering standards (Standards, Technical Rules of the German Roofing Trade Association).



Wall flashing profiles Information on design¹ and execution

- Flashings and cappings of waterproofing membranes must be waterproof to the upper edge.
- Flashing height: ≥ 150 mm at a roof slope up to 5° or ≥ 100 mm at a roof slope over 5° above the waterproofing, gravel layer (also for green roofs), walkway / driveway paving.
- Flashings at door areas:
In exceptional cases, it is possible to reduce the flashing height to a minimum of 50 mm, provided that unimpeded water drainage at door areas is ensured. Barrier-free passages need specific waterproofing solutions.
- Flashing tapes must be permanently secured against sliding off by mechanical fastening at the upper perimeter area.
If flashings at upstands are directly exposed to the weather or splashing, they must be fixed with clamping profiles.
- Clamping profiles are to be designed and fastened according to their function. Fastening centres must not exceed 200 mm.
- The upper flashing end must be made rainproof.
- The upper edge of the clamping profile must be carried out to ensure application of a min. 10 mm wide and 6 mm thick sealant bevel. Sealant bevels must be checked in regular intervals.
- Surfaces in the flashing area must be smooth, even and without cracks.
- Connections and fixings must be carried out so as to allow the details to expand, to contract or to shift as the temperature changes, without causing any damage. In this case, a temperature difference of 100 K - at a range of -20°C to $+80^\circ\text{C}$ - shall be assumed.
- Clamping profiles must not be installed over moving joints.
- Protection against mechanical damage:
In the case of used roof areas, the flashing area must be protected against mechanical damage.
- Retaining / securing the vapour control layer:
Vapour control layers at flashings and cappings need to be raised over the insulation layer and flashed.
- Measures for taking up horizontal forces:
In order to take up horizontal forces, the roof waterproofing needs to be mechanically fastened, also at upstand flashings, if required.
- Fire protection:
At extensive green roofs, a 50 cm wide gravel or paved strip between upstand and vegetation ensures preventive fire protection.



¹ pursuant to the Technical Rules of the German Roofing Trade Association, DIN 18339, DIN 18195, DIN 18531. National regulations must be observed

Wall flashing profiles

Features

alwitra wall flashing profiles are universally applicable. They can be used for flashing roof waterproofings carried out with synthetic or elastomeric membranes or bituminous sheets. The profiles are suitable for both straight and curved flashings.

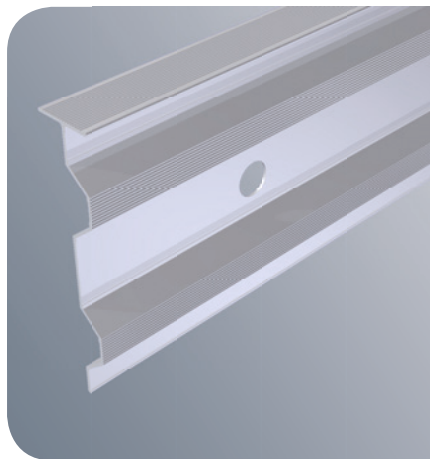
Installation options	
non-used roof areas	<p>Fastening: corrosion-protected screws with washers, centre 194 mm</p>
	<p>Fastening: corrosion-protected screws with washers, centre 192 mm</p>
used roof areas	<p>Fastening: corrosion-protected screws with washers, centre 192 mm</p>
	<p>Fastening: corrosion-protected screws with washers, centre 192 mm</p>

By fastening the rigid clamping profile at regular short intervals, the waterproofing and the vapour control layer are continuously pressed on and secured against sliding off over the full length. With plastic film vapour control layers, a permanently elastic sealing tape is applied at the clamping area.

On used roof areas, the roof sealing at the upstand above the walkway / driveway paving or gravel layer level is well protected against mechanical damage, but also against weathering. With WA 1-ÜK, the fastening is concealed.

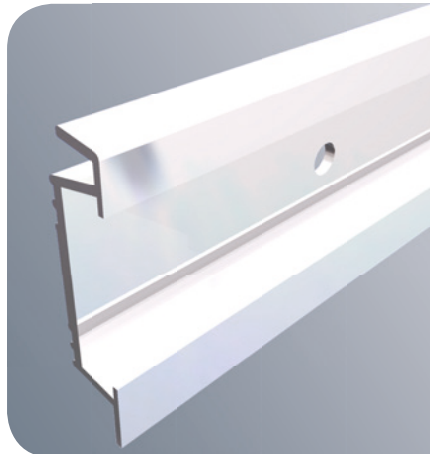
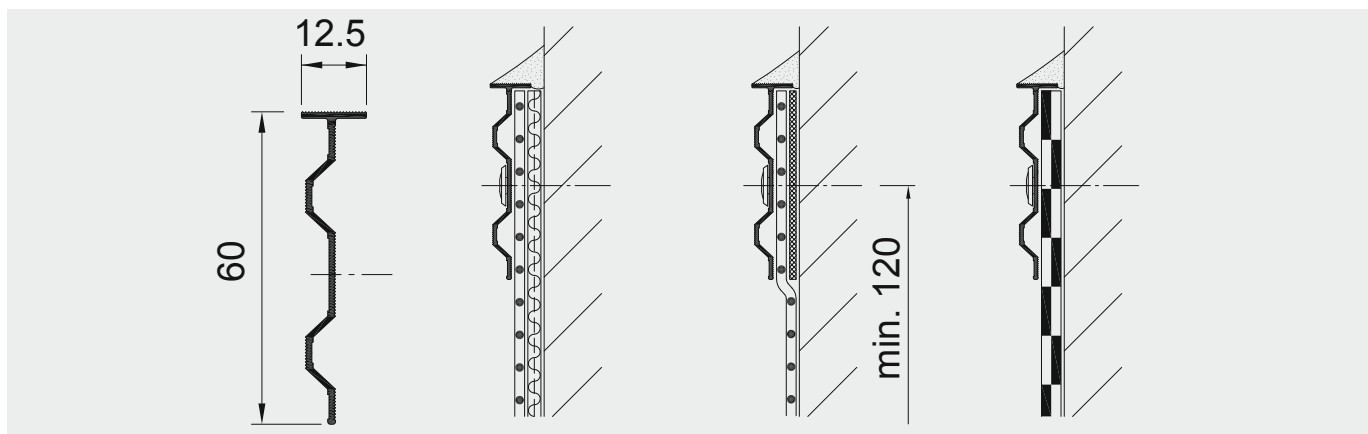
Flashing profiles at used roof areas are provided with a lasting decorative appearance by synthetic coating or anodising.





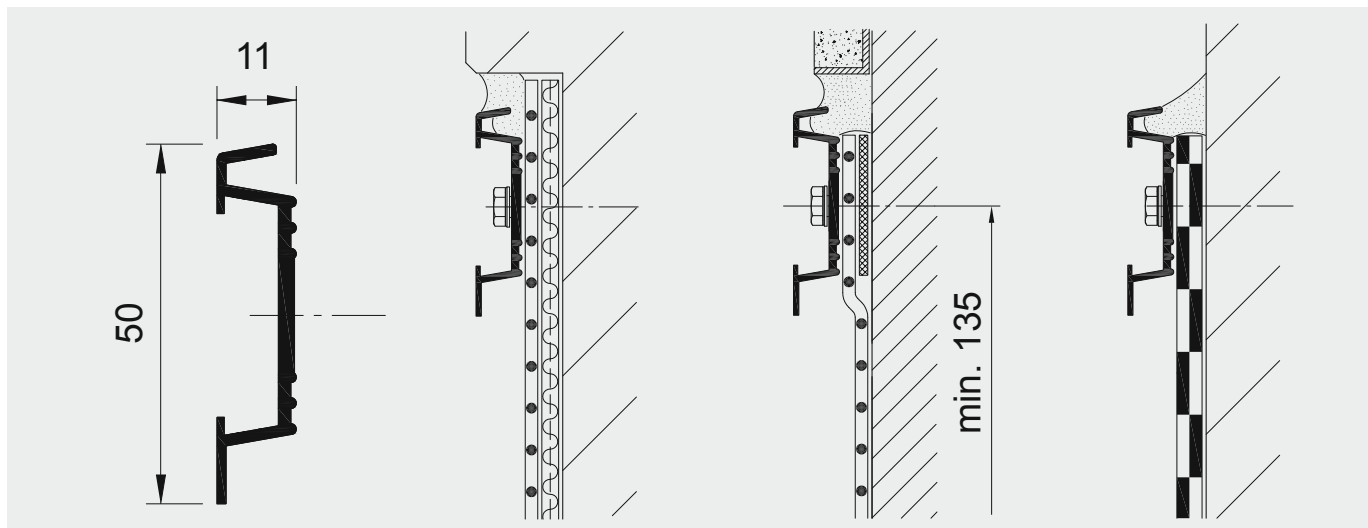
Wall flashing profile FP 60

- extruded single aluminium clamping profile, EN AW-6060 T66
- light-weight and noncorrosive, recyclable
- 3.00 m long clamping profile sections with punched holes \varnothing 8 mm, centre = 194 mm



Wall flashing profile WA 1

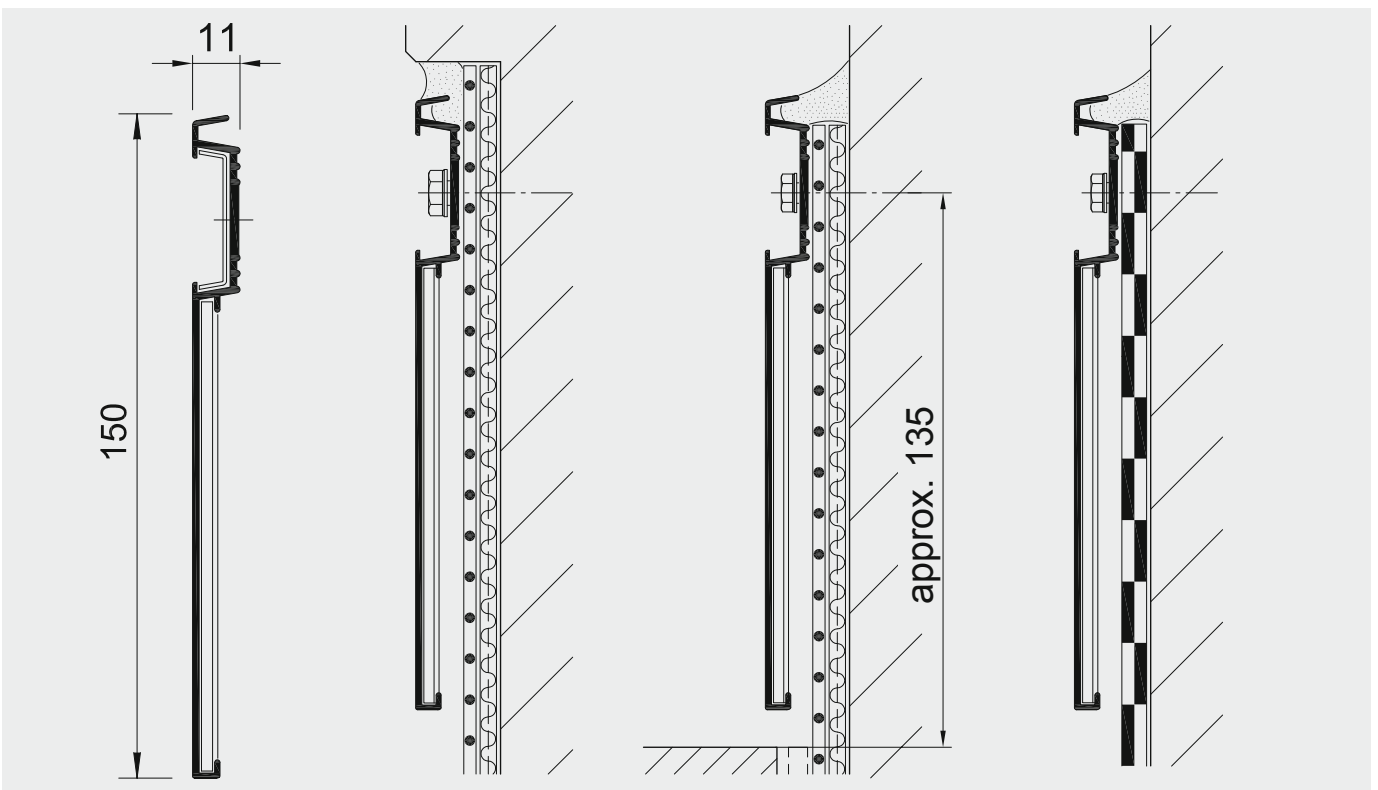
- extruded aluminium clamping profile, EN AW-6060 T66
- rigid and noncorrosive, recyclable
- 3.00 m long clamping profile sections with joining plates (installation aid), punched holes 6.5 x 8 mm, centre = 192 mm
- ready-to-install, adaptable on site internal and external corners or special corners
- with colour coating or anodised, if required



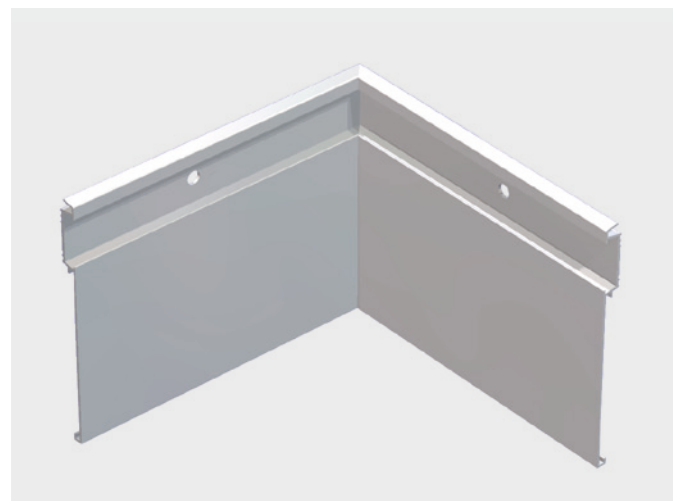


Wall flashing profile WA 150

- extruded multi-piece aluminium clamping profile, 150 mm high, EN AW-6060 T66
- rigid and noncorrosive, recyclable
- 3.00 m long clamping profile sections with joint connections, punched holes \varnothing 8.5 mm, centre = 192 mm
- visible screw connection
- ready-to-install right-angled internal and external corners, special corners and end caps
- with colour coating or anodised, if required



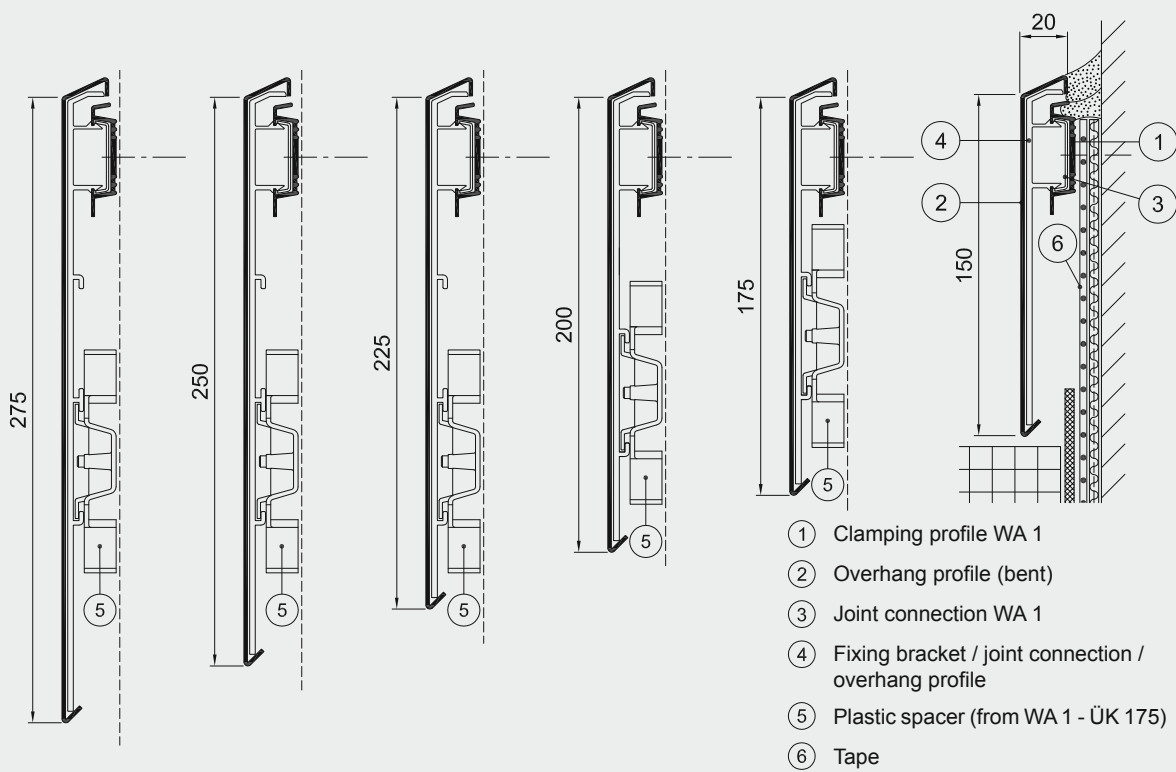
WA 150 external corner



WA 150 internal corner

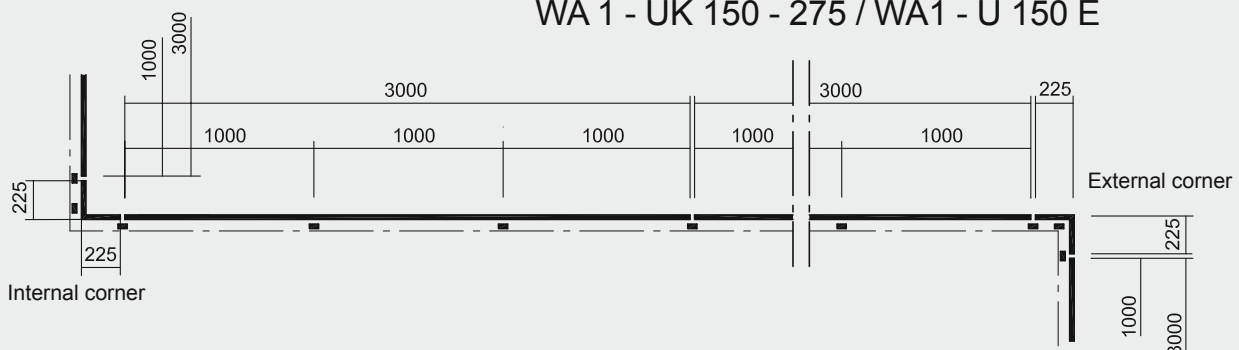
Wall flashing profile WA 1 - ÜK 150 - 275

- extruded rigid aluminium clamping profile, EN AW-6060 T66, with folded aluminium overhang profile, EN AW-5005A
- corrosion resistant, recyclable
- 3.00 m long clamping profile sections with joining plates, punched holes 6.5 x 8 mm, centre = 192 mm
- 3.00 m long overhang profile sections with a front height of 150, 175, 200, 225, 250 and 275 mm, which are snapped onto the fixing brackets / joint connections (from 175 mm with additional plastic spacer) inserted into the clamping profile
- invisible screw connection
- ready-to-install right-angled internal and external corners, special corners and end caps
- with colour coating or anodised, if required



Fixing bracket layout

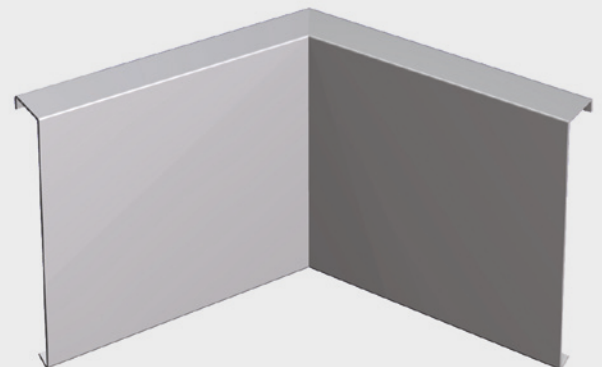
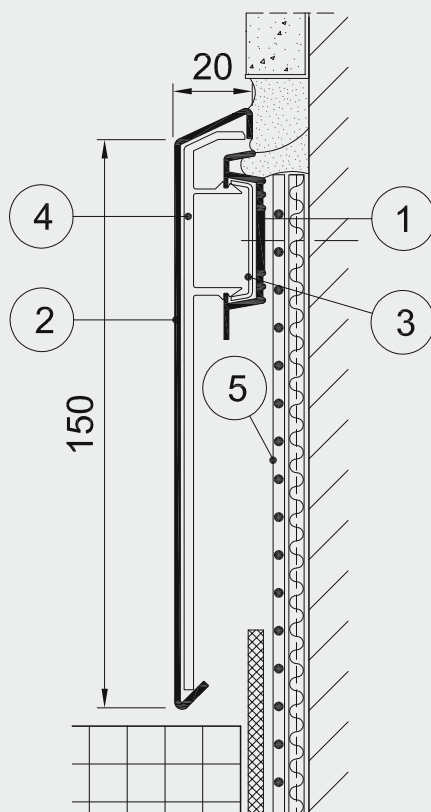
WA 1 - ÜK 150 - 275 / WA1 - Ü 150 E



Wall flashing profile WA 1 - Ü 150 E

- extruded rigid aluminium clamping profile with extruded aluminium overhang profile, EN AW-6060 T66
- corrosion resistant, recyclable
- 3.00 m long clamping profile sections with joining plates, punched holes 6.5 x 8 mm, centre = 192 mm
- 3.00 m long overhang profile sections with a front height of 150 mm, anodised E6/EV1 and with protective film, which are snapped onto the fixing brackets / joint connections inserted into the clamping profile
- semi-gloss anodised overhang profile with increased scratch resistance and enhanced corrosion resistance for a lasting decorative surface
- invisible screw connection
- ready-to-install right-angled internal and external corners, special corners and end caps

- ① Clamping profile WA 1
- ② Overhang profile (anodised E6/EV1)
- ③ Joint connection WA 1
- ④ Fixing bracket / joint connection / overhang profile
- ⑤ Tape



ready-to-install right-angled internal corner

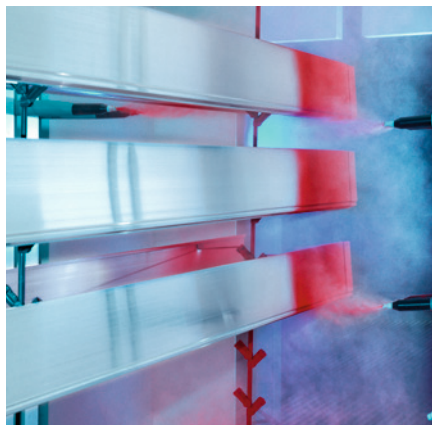


WA 150 - Ü 150 E external corner

Synthetic coating for aluminium profile finishing

A new dimension of flat roof design!

alwitra is the only flat roof waterproofing manufacturer to offer both production and coating / finishing of aluminium profiles from a single source. For an even more specific and, in particular, timely realisation of your wishes and needs, we have started production on a new, worldwide unique powder coating line specially designed for our product range.



Good arguments in favour of coating and finishing alwitra aluminium profiles:

- **You will save time:**
One-stop production and coating of aluminium profiles result in optimised delivery times.
- **You will lend your buildings an unmistakable design:**
Aluminium profiles are available in a multitude of colours. On request, also with special effects.
- **You will increase the service life of your roof edge profiles, wall cappings and flashing profiles:**
The preferred colour coatings from the colour programme **alwitra select** are highly weatherproof (GSB Master), resistant to UV radiation and chemicals and extremely resistant against impact, scratches and abrasion.
- **You will benefit from unique high-tech production with a sophisticated colour finishing concept.**
- **Your aluminium profiles will keep their good looks:**
With regular care, the coated surfaces will remain unsoiled, smooth, dirt-repellent and easy to clean even after years.
- **You will contribute to preserving the environment:**
For coating of your aluminium profiles, we use energy-efficient, chrome and solvent free low-resource technology.
- **You will make use of our expertise from 45 years' experience in finishing and coating of aluminium profiles.**

The alwitra Colour World for aluminium profiles

25 permanently available, **highly weatherproof** preferred colour coatings (HWF, GSB-Master) provide the basis for the alwitra colour experience. With **alwitra select**, we offer you up-to-date high-demand colours and surface effects for a modern roof edge design.

All other colours from the RAL CLASSIC colour range are available in façade quality (GSB standard).

For further information, see www.alwitra.de/en/aluminium-profiles/synthetic-coatings/.

alwitra select

				
RAL 3020 traffic red gloss, matt	RAL 5002 ultramarine blue gloss, satin-gloss	RAL 7001 silver grey gloss, satin-gloss	RAL 7004 signal grey gloss, satin-gloss	RAL 7012 basalt grey gloss, satin-gloss
				
RAL 7015 slate grey gloss, satin-gloss	RAL 7016 anthracite grey gloss, satin-gloss	RAL 7021 black grey gloss, satin-gloss	RAL 7022 umber gloss, matt	RAL 7024 graphite grey gloss, satin-gloss
				
RAL 7035 light grey gloss, satin-gloss	RAL 7036 platinum grey glatt, seidenglänzend	RAL 7037 dusty grey gloss, satin-gloss	RAL 7039 quartz grey gloss, matt	RAL 7047 telegrey 4 gloss, satin-gloss
				
RAL 8017 chocolate brown gloss, satin-gloss	RAL 8019 grey brown gloss, satin-gloss	RAL 9005 jet black gloss, satin-gloss	RAL 9006 white aluminium Structure, matt, metallic	RAL 9007 grey aluminium Structure, matt, metallic
				
RAL 9010 pure white gloss, satin-gloss	RAL 9016 traffic white gloss, satin-gloss	DB 701 Structure, matt, metallic	DB 702 Structure, matt, metallic	DB 703 Structure, matt, metallic

The samples are printed versions of the original colours. Deviations in colour and gloss level reserved.



alwitra GmbH & Co.

54229 Trier · Germany

Phone: +49 651 9102-0 · Fax: +49 651 9102-248

export@alwitra.de · www.alwitra.de